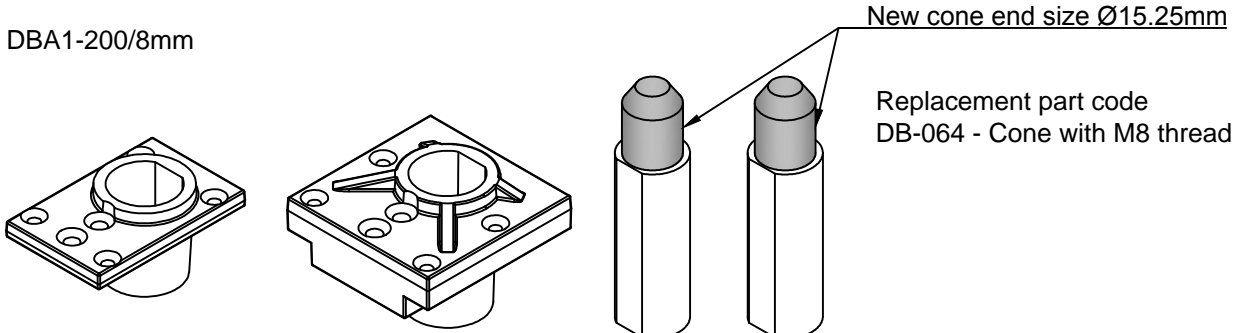


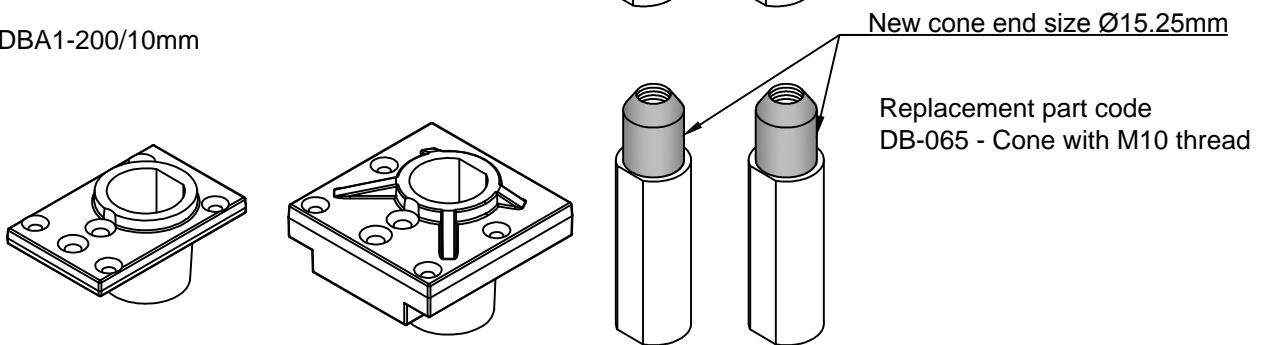
Product update

- In a past year Debar received customer complaints regarding cones an roller guides fitting issue into outer frame profiles, as it was jammed or it was difficult to operate.
- After investigating it was found that an issue was caused by profile channel width tolerance and powder coating paint thickness nonconformance.
- To eliminate the issue Debar decided to reduce all cone sizes from Ø16.15mm to Ø15.25mm for all shoot-bolt cone & guide kits DBA1-200/8mm and DBA1-200/10mm.
- For all rollers and guides DBA1-352 to DBA1-354 Debar temporary released replacement guide rollers PR19-C009 with Ø15.25mm, until the further permanent change will come in place.
- Please contact our sales department to order free of charge replacement parts of the components listed below.
- Please note: From May 2017 products DBA1-200/10mm supplied by Debar will have new cone end size Ø15.25mm.

DBA1-200/8mm



DBA1-200/10mm



DBA1-351 or DBA1-353

DBA1-352 or DBA1-354

